



THE BUG BLOCKER® SCREEN

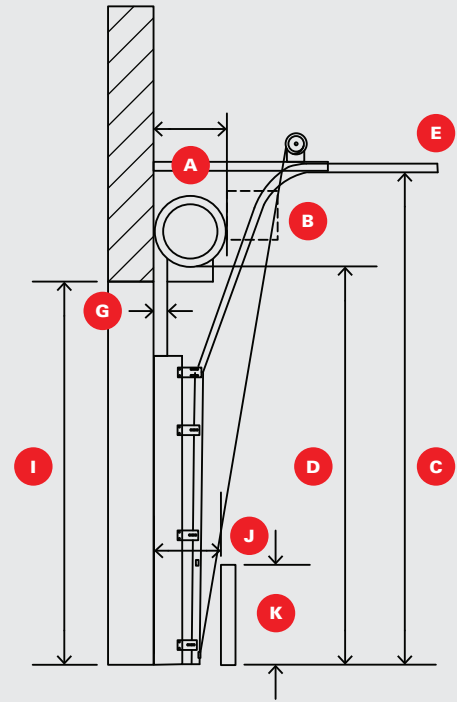
HIGH LIFT BEHIND ROLLING
SHORTER THAN OPENING

COMPANY		PREPARED BY	
EMAIL		PHONE NUMBER	
ADDRESS			
CITY		STATE	ZIP
PURCHASE ORDER NUMBER		DATE REQUIRED	QTY
TAG			
SPECIAL INSTRUCTIONS (Please note if this is for a quote)			

- A** Distance to Back of Roll: _____ in
- B** Is there motor operator interference? Yes No
- C** Floor to New Horizontal Track Distance: _____ ft _____ in
- D** Floor to Bottom of Roll Distance: _____ ft _____ in
- E** Rasco Door Track Size Needed: 2 in 3 in
- F** Required Rasco Door Height: _____ ft _____ in
(At least 2 feet less than opening height)
- G** Depth of Existing Guide: _____ in
- H** Opening Width: _____ ft _____ in
- I** Opening Height: _____ ft _____ in
- J** Distance of Bollards from Wall: _____ in
- K** Bollard Height: _____ in
- L** Can you keep existing chains clear? Yes No
- M** Mesh size?
 12 mesh stainless 30 mesh stainless
 16 mesh stainless Special
- N** Width Outside to Outside of Guide: _____ ft _____ in
(This is **NOT** the opening size)

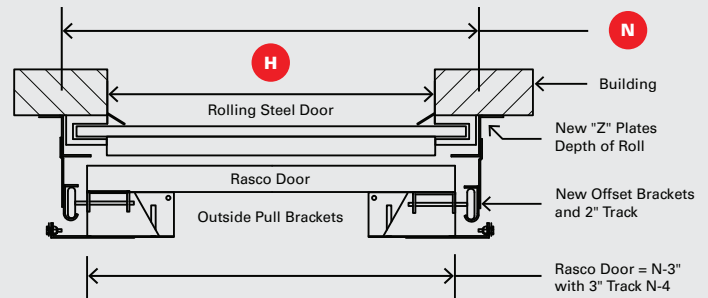
✉ EMAIL SURVEY FORM TO RASCO

DOOR SIDE VIEW



NOTES: A torsion bar support is required on all doors 10' or wider.
The Rasco door has outside pull brackets/cables.

DOORTOP ABOVE



Measuring Guide



1

Track to bollard

To make sure you have clearance for your Rasco door.



2

Outside to outside of existing track

To ensure a proper fit with your door.



3

Distance from wall to furthest part of existing track at top of the opening

To ensure a proper seal on the sides, many tracks are farther away from wall at top of opening.



4

Wall to outside edge of roll or distance to back of roll

To ensure a tight seal on the sides.

09/12/22