



# THE BUG BLOCKER® SCREEN

## SECTIONS

COMPANY		PREPARED BY	
EMAIL		PHONE NUMBER	
ADDRESS			
CITY		STATE	ZIP
PURCHASE ORDER NUMBER		DATE REQUIRED	QTY
TAG			
SPECIAL INSTRUCTIONS (Please note if this is for a quote)			

## SECTION QUANTITIES, TYPES AND HEIGHTS

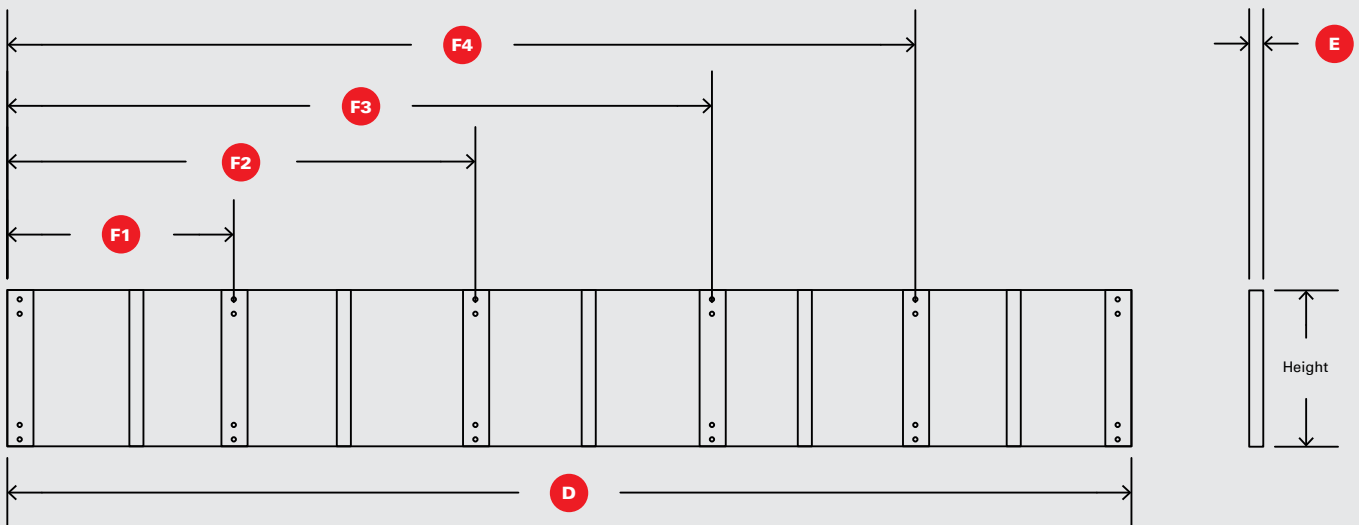
Top: \_\_\_\_\_ section(s) at \_\_\_\_\_ in H  
 Intermediate: \_\_\_\_\_ section(s) at \_\_\_\_\_ in H  
 Intermediate: \_\_\_\_\_ section(s) at \_\_\_\_\_ in H  
 Bottom: \_\_\_\_\_ section(s) at \_\_\_\_\_ in H

- A** Serial Number: \_\_\_\_\_
- B** Mesh size?
  - 12 mesh stainless
  - 16 mesh stainless
  - 30 mesh stainless
  - Special
- C** Special Order Items:
  - Powder Coated - Color
  - Anodized
  - Security Bars Every 6"
- D** Overall Width: \_\_\_\_\_ in
- E** Thickness: \_\_\_\_\_ in
- F** Stile Hinge Hole Locations:
  - F1 \_\_\_\_\_ in
  - F2 \_\_\_\_\_ in
  - F3 \_\_\_\_\_ in
  - F4 \_\_\_\_\_ in

**EMAIL SURVEY FORM TO RASCO**

**INSIDE VIEW**

**SIDE VIEW**



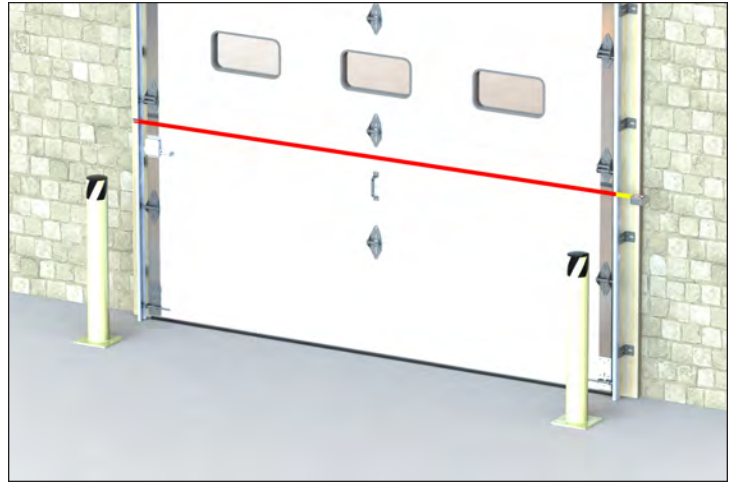
# Measuring Guide



1

## Track to bollard

To make sure you have clearance for your Rasco door.



2

## Outside to outside of existing track

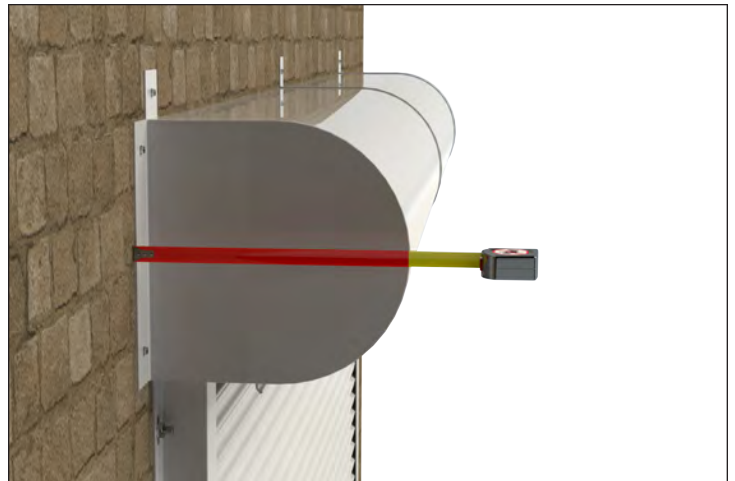
To ensure a proper fit with your door.



3

## Distance from wall to furthest part of existing track at top of the opening

To ensure a proper seal on the sides, many tracks are farther away from wall at top of opening.



4

## Wall to outside edge of roll or distance to back of roll

To ensure a tight seal on the sides.

09/12/22