



SECURITY LINK DOOR™

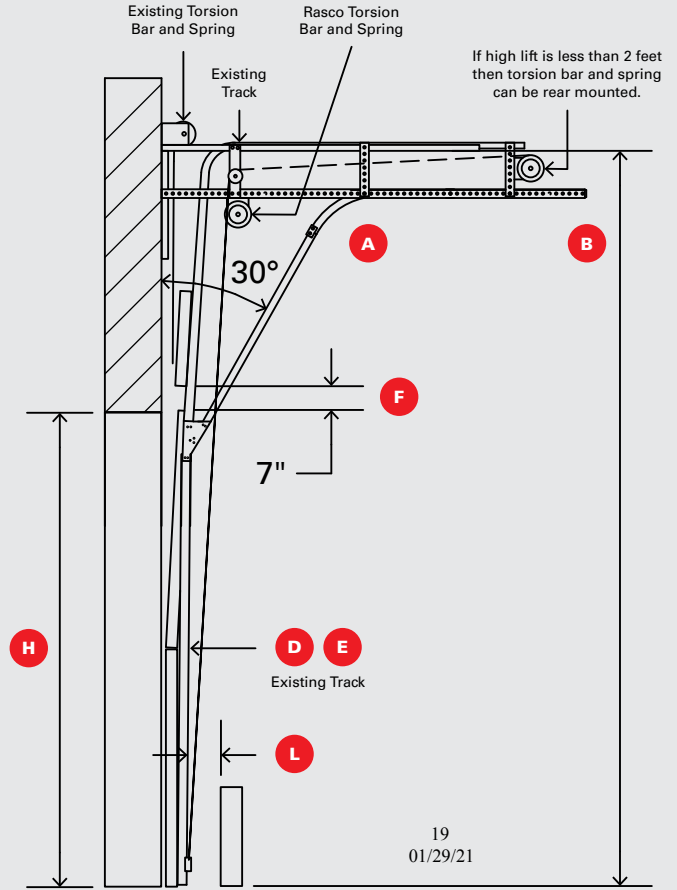
HIGH LIFT
SWITCH TRACK

COMPANY		PREPARED BY	
EMAIL		PHONE NUMBER	
ADDRESS			
CITY		STATE	ZIP
PURCHASE ORDER NUMBER		DATE REQUIRED	QTY
TAG			
SPECIAL INSTRUCTIONS (Please note if this is for a quote)			

- A** Any interference for Rasco track? Yes No
- B** Floor to existing horizontal track? ____ ft ____ in
- C** What is the existing door thickness? ____ in
- D** What is the track width? 2 in 3 in
- E** Is the existing track in good condition? Yes No
- F** When open, can the existing door stop a minimum of 7" above the opening? Yes No
- G** Opening Width: ____ ft ____ in
- H** Opening Height: ____ ft ____ in
- I** Existing Door Width: ____ ft ____ in
- J** Existing Door Height: ____ ft ____ in
- K** Outside to outside of existing track? ____ ft ____ in
- L** What is the distance from track to bollard? ____ in
- M** If existing door is motor operated, provide an interlock switch on Rasco track. Yes No
- N** If Rasco door is to be motor operated, provide an interlock switch. Yes No
- O** If the graduated hinge count is not typical (1,2,3,4 etc.)
What is it? _____

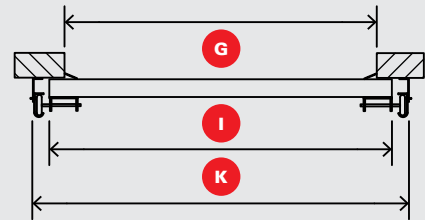
✉ EMAIL SURVEY FORM TO RASCO

DOOR SIDE VIEW



NOTES: A torsion bar support is required on all doors 10' or wider.
Switch track cannot be used if existing door has outside pull cables or has TKO, Workhorse or Barcol type tracks.
The Rasco door has outside pull brackets/cables.

DOORTOP ABOVE



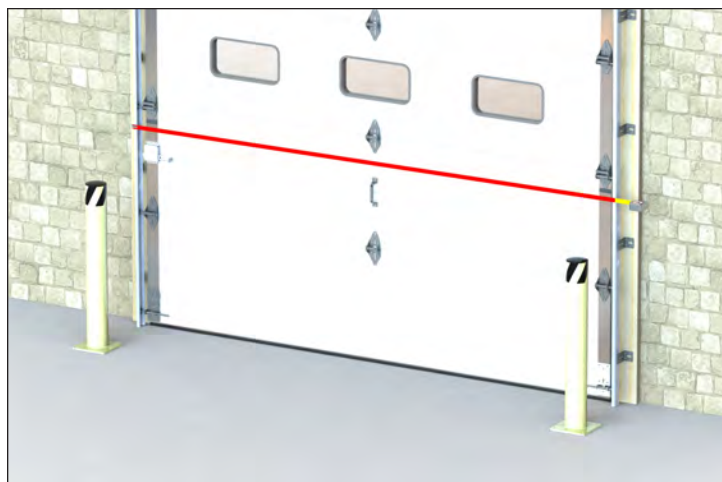
Measuring Guide



1

Track to bollard

To make sure you have clearance for your Rasco door.



2

Outside to outside of existing track

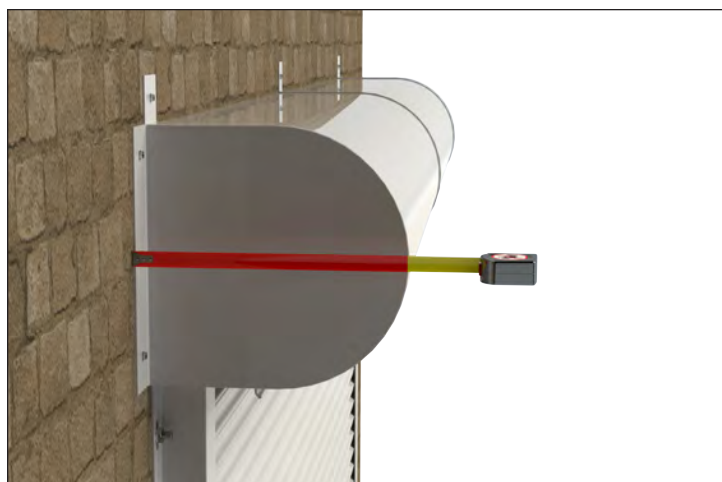
To ensure a proper fit with your door.



3

Distance from wall to furthest part of existing track at top of the opening

To ensure a proper seal on the sides, many tracks are farther away from wall at top of opening.



4

Wall to outside edge of roll or distance to back of roll

To ensure a tight seal on the sides.

09/12/22