



SECURITY LINK DOOR™

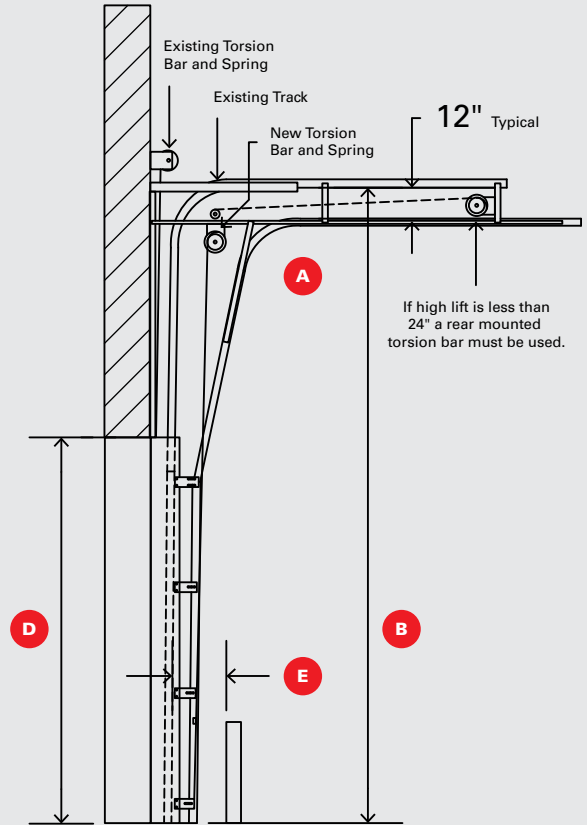
HIGH LIFT
DUAL TRACK

COMPANY		PREPARED BY	
EMAIL		PHONE NUMBER	
ADDRESS			
CITY		STATE	ZIP
PURCHASE ORDER NUMBER		DATE REQUIRED	QTY
TAG			
SPECIAL INSTRUCTIONS (Please note if this is for a quote)			

- A** Is there any interference for new track? Yes No
- B** Floor to Existing Horizontal Track: ____ ft ____ in
- C** Opening Width: ____ ft ____ in
- D** Opening Height: ____ ft ____ in
- E** Distance From Existing Track to Bollard: ____ in
- F** Outside to Outside of Existing Track: ____ ft ____ in
- G** Existing Door Width: ____ ft ____ in
- H** Existing Door Height: ____ ft ____ in
- I** Existing lower track is in good condition: Yes No
- J** Existing Track Width: 2 in 3 in
- K** Rasco door to be motorized: Yes No
- L** Security Door Height: ____ ft
- M** Rasco Door Track Size: 2 in 3 in
(2" is recommended as it has a 32" radius to accommodate the unusually tall sections.)

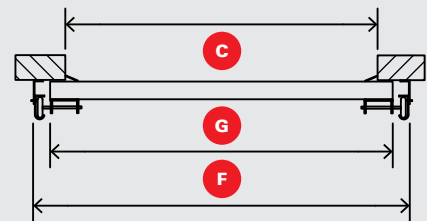
EMAIL SURVEY FORM TO RASCO

DOOR SIDE VIEW

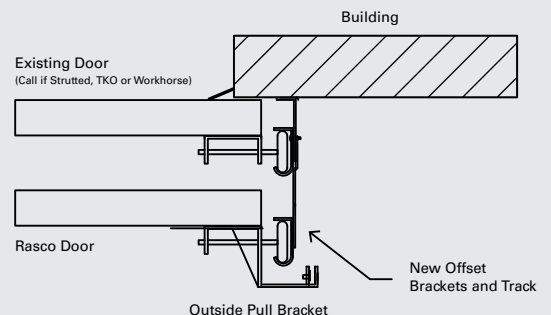


NOTES: A torsion bar support is required on all doors 10' or wider.
Dual track cannot be used if existing door has outside pull cables.

DOORTOP ABOVE



TRACKTOP DETAIL



Measuring Guide



1

Track to bollard

To make sure you have clearance for your Rasco door.



2

Outside to outside of existing track

To ensure a proper fit with your door.



3

Distance from wall to furthest part of existing track at top of the opening

To ensure a proper seal on the sides, many tracks are farther away from wall at top of opening.



4

Wall to outside edge of roll or distance to back of roll

To ensure a tight seal on the sides.

09/12/22