



# SECURITY LINK DOOR™

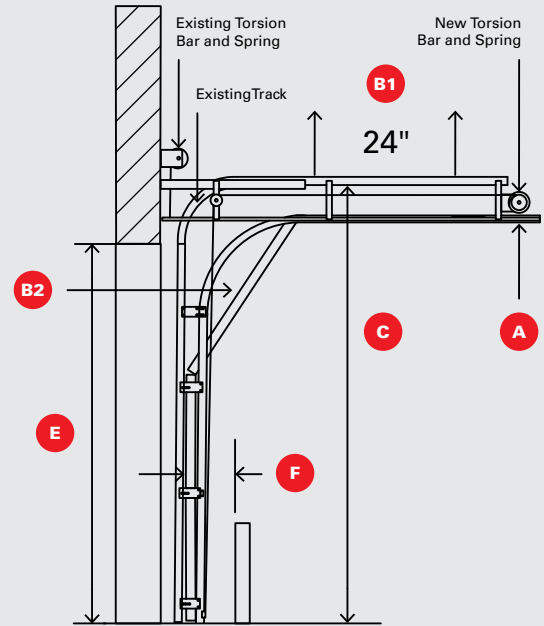
STANDARD LIFT  
DUAL TRACK

|   |  |               |     |
|---|--|---------------|-----|
| COMPANY   |  | PREPARED BY   |     |
| EMAIL   |  | PHONE NUMBER  |     |
| ADDRESS   |  |               |     |
| CITY  |  | STATE         | ZIP |
| PURCHASE ORDER NUMBER                                     |  | DATE REQUIRED | QTY |
| TAG   |  |               |     |
| SPECIAL INSTRUCTIONS (Please note if this is for a quote) |  |               |     |

- A** Is there any interference for new track?  Yes  No
- B** Select One:
  - High lift the existing track 23 in
  - Allow chain link top panel to lean away from header
- C** Floor to Existing Horizontal Track:     \_\_\_ ft \_\_\_ in
- D** Opening Width:                             \_\_\_ ft \_\_\_ in
- E** Opening Height:                            \_\_\_ ft \_\_\_ in
- F** Distance From Existing Track to Bollard:     \_\_\_ in
- G** Outside to Outside of Existing Track:     \_\_\_ ft \_\_\_ in
- H** Existing Door Width:                     \_\_\_ ft \_\_\_ in
- I** Existing Door Height:                    \_\_\_ ft \_\_\_ in
- J** Existing lower track is in good condition:  Yes  No
- K** Existing Track Width:                     2 in  3 in
- L** Rasco door to be motorized:            Yes  No
- M** Security Door Height:                   \_\_\_ ft
- N** Rasco Door Track Size:                  2 in  3 in  
(2" is recommended as it has a 32" radius to accommodate the unusually tall sections.)

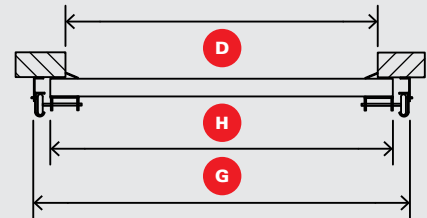
✉ EMAIL SURVEY FORM TO RASCO

## DOOR SIDE VIEW

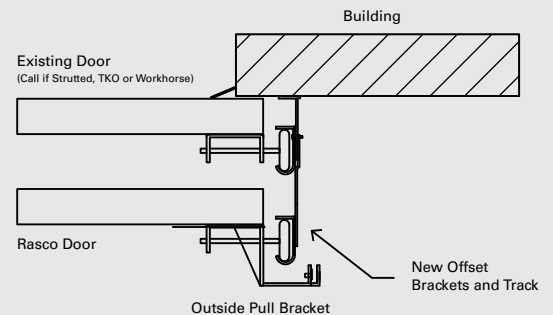


**NOTES:** A torsion bar support is required on all doors 10' or wider.  
Switch track cannot be used if existing door has outside pull cables or has TKO, Workhorse or Barcol type tracks.  
The Rasco door has outside pull brackets/cables.

## DOORTOP ABOVE



## TRACKTOP DETAIL



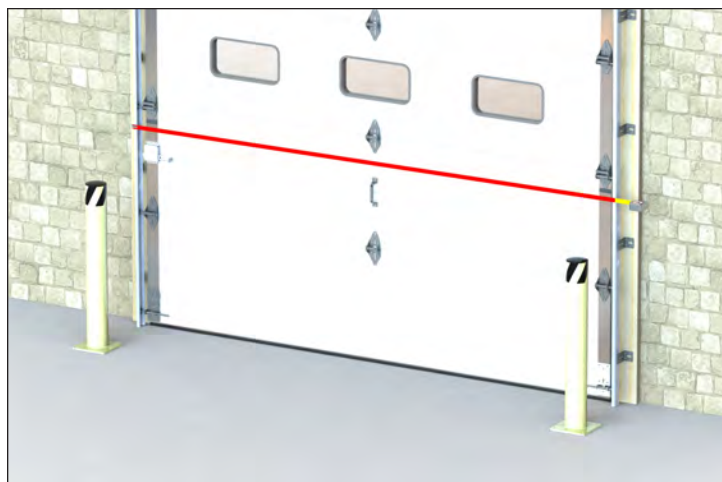
# Measuring Guide



1

## Track to bollard

To make sure you have clearance for your Rasco door.



2

## Outside to outside of existing track

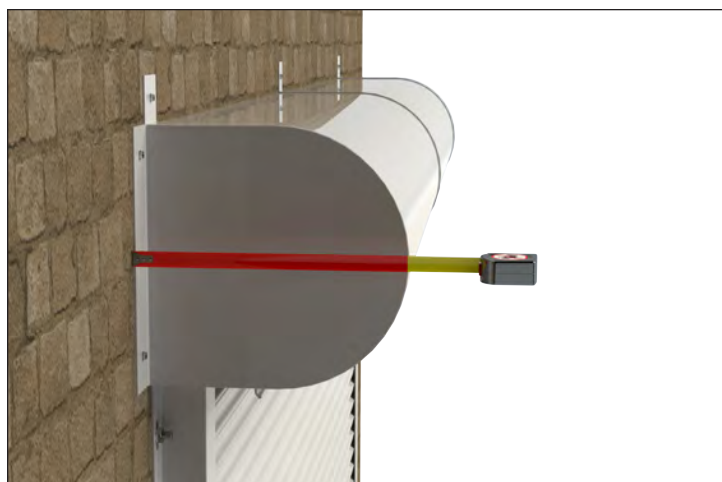
To ensure a proper fit with your door.



3

## Distance from wall to furthest part of existing track at top of the opening

To ensure a proper seal on the sides, many tracks are farther away from wall at top of opening.



4

## Wall to outside edge of roll or distance to back of roll

To ensure a tight seal on the sides.

09/12/22