



SECURITY LINK DOOR™

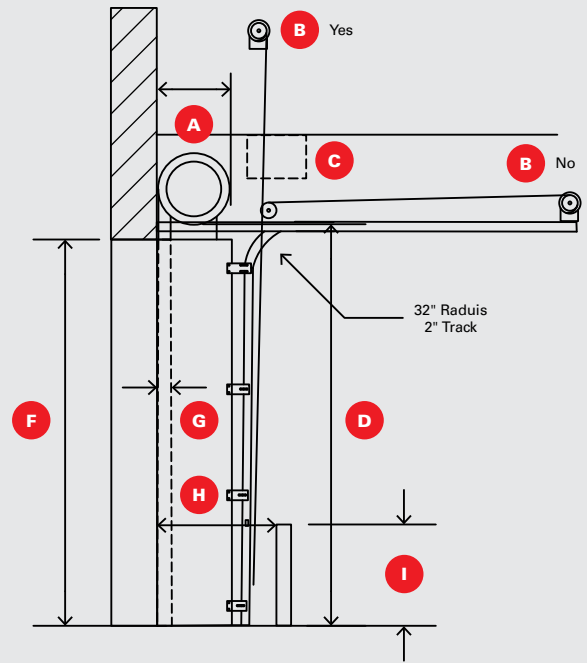
STANDARD LIFT
BEHIND ROLLING WITH DEEP REVERSE

COMPANY		PREPARED BY	
EMAIL		PHONE NUMBER	
ADDRESS			
CITY		STATE	ZIP
PURCHASE ORDER NUMBER		DATE REQUIRED	QTY
TAG			
SPECIAL INSTRUCTIONS (Please note if this is for a quote)			

- A** Distance to back of roll? _____ in
- B** Can torsion bar be mounted at least 24" above opening?
 - Yes
 - No
 - Rear Mounted
- C** Interference from motor operator? Yes No
- D** Distance from floor to bottom of roll? _____ ft _____ in
- E** Opening width _____ ft _____ in
- F** Opening height _____ ft _____ in
- G** Depth of existing track? _____ ft _____ in
- H** Distance from bollards to wall? _____ ft _____ in
- I** What is the height of the bollards? _____ ft _____ in
- J** Can you keep existing chains clear? Yes No
- K** Width outside to outside of guide? _____ ft _____ in
(This is NOT the opening size)
- L** Rasco Door Track Size: 2 in 3 in
(2" is recommended as it has a 32" radius to accommodate the unusually tall sections. Needs 30" of headroom.)
- M** Is the Rasco door to be motorized? Yes No

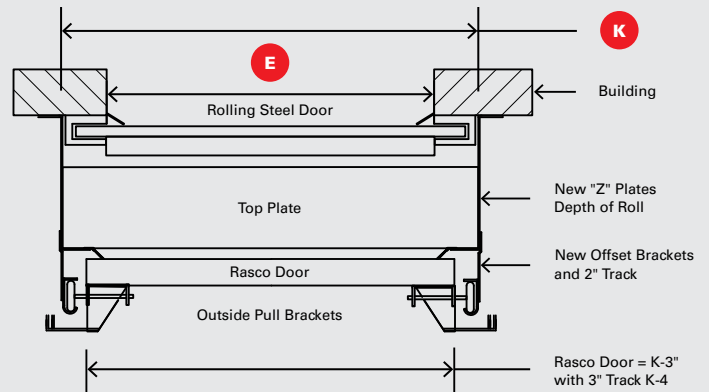
✉ EMAIL SURVEY FORM TO RASCO

DOOR SIDE VIEW



NOTES: A torsion bar support is required on all doors 10' or wider.
The Rasco door has outside pull brackets/cables.

DOORTOP ABOVE



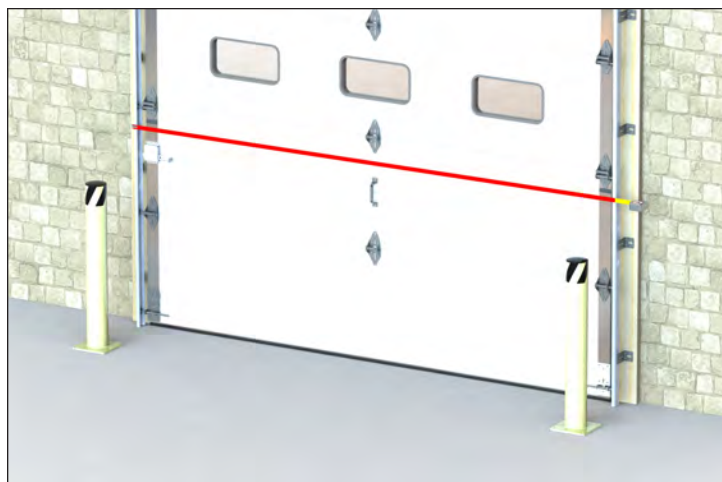
Measuring Guide



1

Track to bollard

To make sure you have clearance for your Rasco door.



2

Outside to outside of existing track

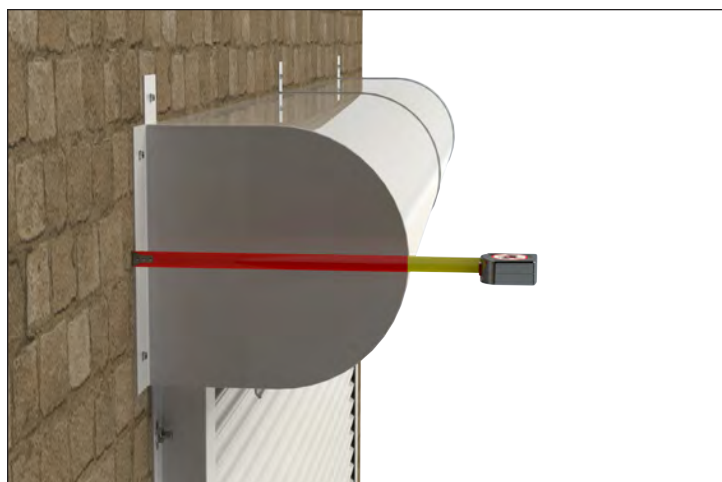
To ensure a proper fit with your door.



3

Distance from wall to furthest part of existing track at top of the opening

To ensure a proper seal on the sides, many tracks are farther away from wall at top of opening.



4

Wall to outside edge of roll or distance to back of roll

To ensure a tight seal on the sides.

09/12/22