



# SECURITY LINK DOOR™

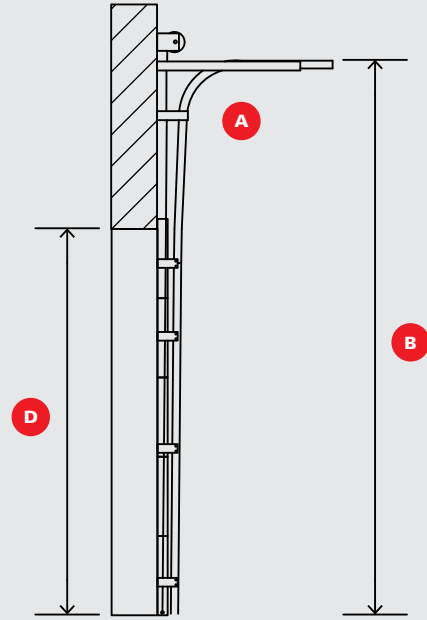
HIGH LIFT  
STAND ALONE

|   |  |               |     |
|---|--|---------------|-----|
| COMPANY   |  | PREPARED BY   |     |
| EMAIL   |  | PHONE NUMBER  |     |
| ADDRESS   |  |               |     |
| CITY  |  | STATE         | ZIP |
| PURCHASE ORDER NUMBER                                     |  | DATE REQUIRED | QTY |
| TAG   |  |               |     |
| SPECIAL INSTRUCTIONS (Please note if this is for a quote) |  |               |     |

- A** Rasco Door Track Size:  2 in  3 in  
(2" is recommended as it has a 32" radius to accommodate the unusually tall sections.)
- B** Floor to New Horizontal Track Distance: \_\_\_\_ ft \_\_\_\_ in
- C** Opening Width: \_\_\_\_ ft \_\_\_\_ in
- D** Opening Height: \_\_\_\_ ft \_\_\_\_ in
- E** Motorized Rasco Door:  Yes  No
- F** Security Door Height: \_\_\_\_ ft

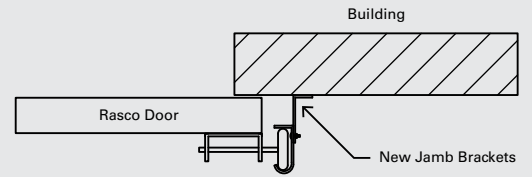
✉ EMAIL SURVEY FORM TO RASCO

## DOOR SIDE VIEW



**NOTES:** Door overlaps opening by 1" on each side.

## TRACK TOP DETAIL



# Measuring Guide



1

## Track to bollard

To make sure you have clearance for your Rasco door.



2

## Outside to outside of existing track

To ensure a proper fit with your door.



3

## Distance from wall to furthest part of existing track at top of the opening

To ensure a proper seal on the sides, many tracks are farther away from wall at top of opening.



4

## Wall to outside edge of roll or distance to back of roll

To ensure a tight seal on the sides.

09/12/22