



SECURITY LINK DOOR™

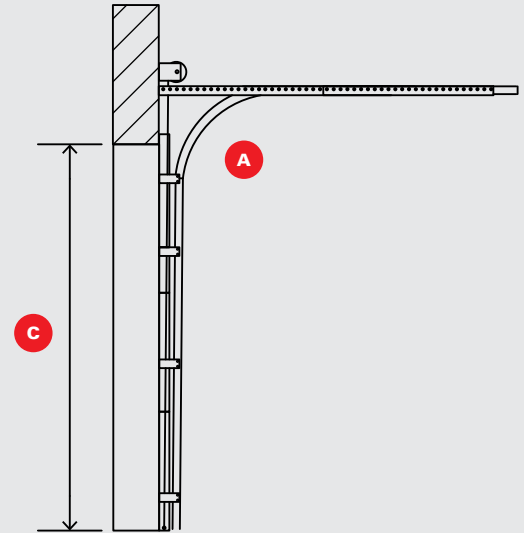
STANDARD LIFT
STAND ALONE

COMPANY		PREPARED BY	
EMAIL		PHONE NUMBER	
ADDRESS			
CITY		STATE	ZIP
PURCHASE ORDER NUMBER		DATE REQUIRED	QTY
TAG			
SPECIAL INSTRUCTIONS (Please note if this is for a quote)			

- A** Rasco Door Track Size: 2 in 3 in
(2" is recommended as it has a 32" radius to accommodate the unusually tall sections.)
- B** Opening Width: _____ ft _____ in
- C** Opening Height: _____ ft _____ in
- D** Motorized Rasco Door: Yes No
- E** Security Door Height: _____ ft
(If shorter than opening it becomes high lift)

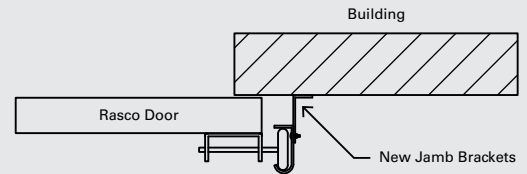
EMAIL SURVEY FORM TO RASCO

DOOR SIDE VIEW



NOTES: Door overlaps opening by 1" on each side.

TRACK TOP DETAIL



Measuring Guide



1

Track to bollard

To make sure you have clearance for your Rasco door.



2

Outside to outside of existing track

To ensure a proper fit with your door.



3

Distance from wall to furthest part of existing track at top of the opening

To ensure a proper seal on the sides, many tracks are farther away from wall at top of opening.



4

Wall to outside edge of roll or distance to back of roll

To ensure a tight seal on the sides.

09/12/22