



# THE BUG BLOCKER® SCREEN

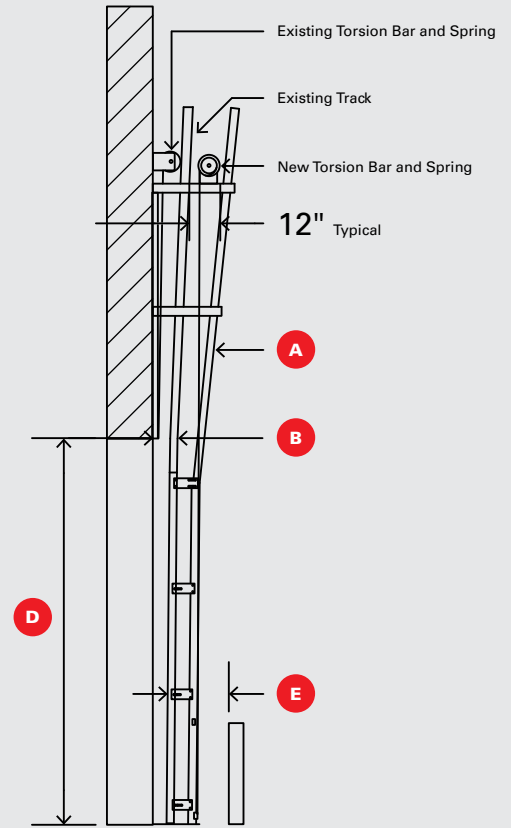
VERTICAL LIFT  
DUAL TRACK

COMPANY		PREPARED BY	
EMAIL		PHONE NUMBER	
ADDRESS			
CITY		STATE	ZIP
PURCHASE ORDER NUMBER		DATE REQUIRED	QTY
TAG			
SPECIAL INSTRUCTIONS (Please note if this is for a quote)			

- A** Is there any interference for new track?  Yes  No
- B** Distance from wall to furthest part of existing track at the top of the opening? \_\_\_\_\_ in
- C** Opening Width: \_\_\_\_\_ ft \_\_\_\_\_ in
- D** Opening Height: \_\_\_\_\_ ft \_\_\_\_\_ in
- E** Distance From Existing Track to Bollard: \_\_\_\_\_ in
- F** Outside to Outside of Existing Track: \_\_\_\_\_ ft \_\_\_\_\_ in
- G** Existing Door Width: \_\_\_\_\_ ft \_\_\_\_\_ in
- H** Existing Door Height: \_\_\_\_\_ ft \_\_\_\_\_ in
- I** Existing lower track is in good condition:  Yes  No
- J** Existing Track Width:  2 in  3 in
- K** Is the Rasco door to be motorized?  Yes  No
- L** Mesh size?
  - 12 mesh stainless  30 mesh stainless
  - 16 mesh stainless  Special
- M** Rasco Door Track Size:  2 in  3 in

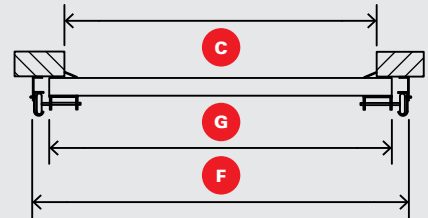
✉ EMAIL SURVEY FORM TO RASCO

## DOOR SIDE VIEW

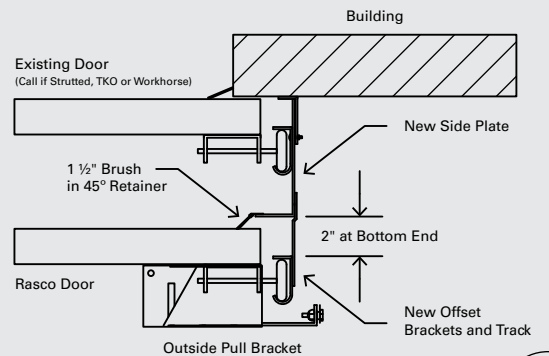


**NOTES:** A torsion bar support is required on all doors 10' or wider.  
Dual track cannot be used if existing door has outside pull cables.  
The Rasco door has outside pull brackets/cables.

## DOORTOP ABOVE



## TRACK TOP DETAIL



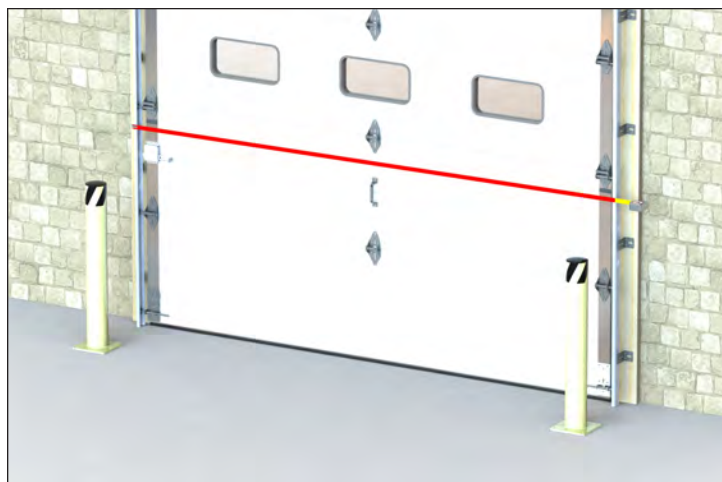
# Measuring Guide



1

## Track to bollard

To make sure you have clearance for your Rasco door.



2

## Outside to outside of existing track

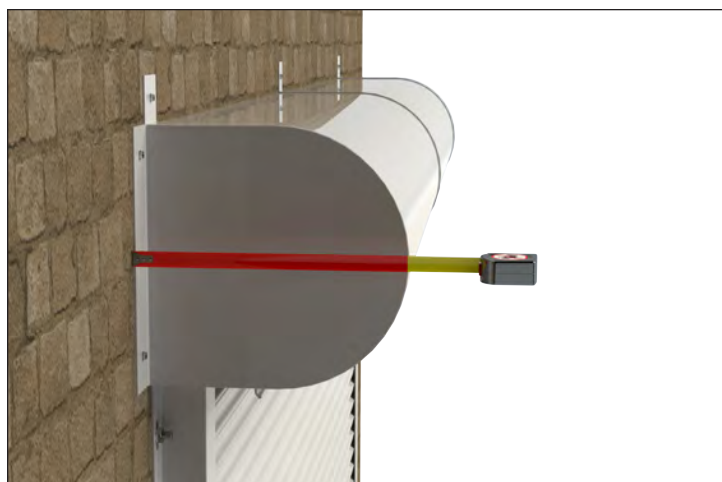
To ensure a proper fit with your door.



3

## Distance from wall to furthest part of existing track at top of the opening

To ensure a proper seal on the sides, many tracks are farther away from wall at top of opening.



4

## Wall to outside edge of roll or distance to back of roll

To ensure a tight seal on the sides.

09/12/22