



# THE BUG BLOCKER® SCREEN

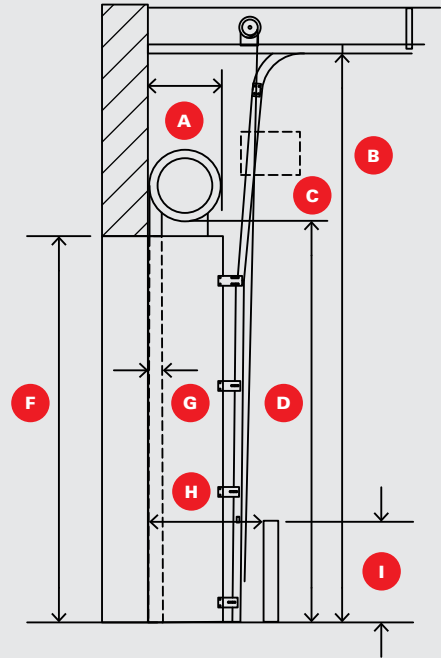
HIGH LIFT  
BEHIND ROLLING WITH DEEP REVERSE

COMPANY		PREPARED BY	
EMAIL		PHONE NUMBER	
ADDRESS			
CITY		STATE	ZIP
PURCHASE ORDER NUMBER		DATE REQUIRED	QTY
TAG			
SPECIAL INSTRUCTIONS (Please note if this is for a quote)			

- A** Distance to back of roll? \_\_\_\_\_ in
- B** Distance from floor to new horizontal track? \_\_\_\_\_ ft \_\_\_\_\_ in
- C** Interference from motor operator?  Yes  No
- D** Distance from floor to bottom of roll? \_\_\_\_\_ ft \_\_\_\_\_ in
- E** Opening width \_\_\_\_\_ ft \_\_\_\_\_ in
- F** Opening height \_\_\_\_\_ ft \_\_\_\_\_ in
- G** Depth of existing track? \_\_\_\_\_ ft \_\_\_\_\_ in
- H** Distance from bollards to wall? \_\_\_\_\_ ft \_\_\_\_\_ in
- I** What is the height of the bollards? \_\_\_\_\_ ft \_\_\_\_\_ in
- J** Can you keep existing chains clear?  Yes  No
- K** Mesh size?
  - 12 mesh stainless       30 mesh stainless
  - 16 mesh stainless       Special
- L** Width outside to outside of guide? \_\_\_\_\_ ft \_\_\_\_\_ in  
(This is NOT the opening size)
- M** Rasco Door Track Size:  2 in  3 in

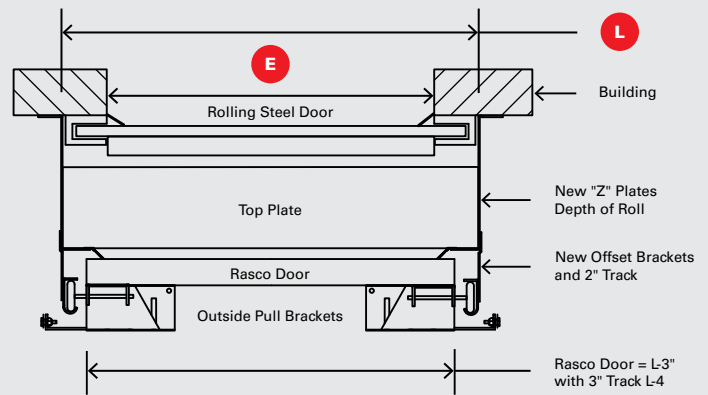
✉ EMAIL SURVEY FORM TO RASCO

**DOOR SIDE VIEW**



**NOTES:** A torsion bar support is required on all doors 10' or wider.  
The Rasco door has outside pull brackets/cables.

**DOORTOP ABOVE**



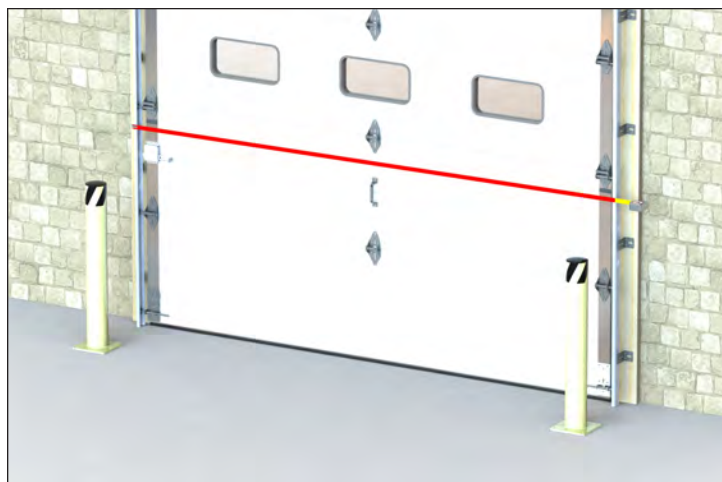
# Measuring Guide



1

## Track to bollard

To make sure you have clearance for your Rasco door.



2

## Outside to outside of existing track

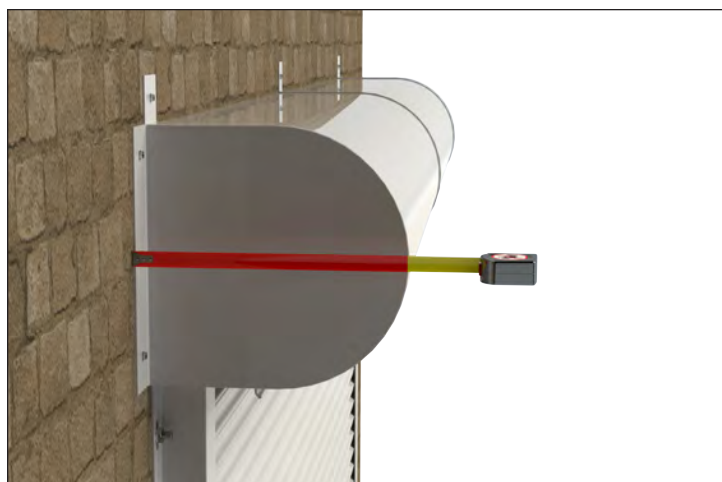
To ensure a proper fit with your door.



3

## Distance from wall to furthest part of existing track at top of the opening

To ensure a proper seal on the sides, many tracks are farther away from wall at top of opening.



4

## Wall to outside edge of roll or distance to back of roll

To ensure a tight seal on the sides.

09/12/22